

⊙ Product Introduction

During the service life of the transformer, the tap changer is the most important component of the on-load tap-changing transformer, and maintenance-free or maintenance-free plays a decisive role. Our ZVM OLTC can fully meet the demand.

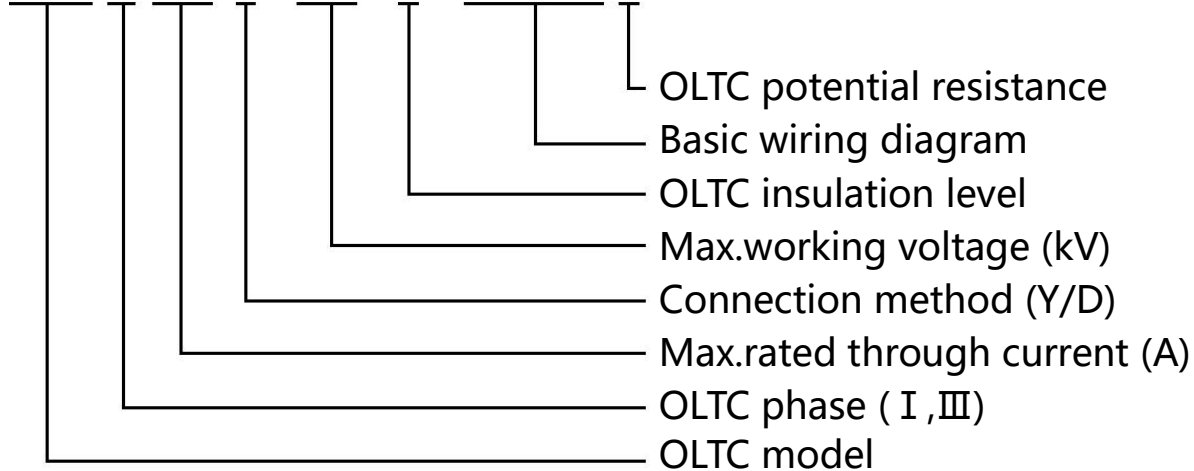
The ZVM vacuum OLTC requires low maintenance and has a long service life: electrical life is 350,000 times, and mechanical life can even reach 1.5 million times. ZVM switch has a wide range of applications, not only for the new design of transformers, but also for vacuum transformation of ZM, ZMB, and ZMD type OLTC.

ZVM vacuum OLTC is suitable for the highest working voltage 72.5kV, 126kV, 170kV, 252kV, the maximum rated through current 3-phase 300A, 500A, 600A, single-phase 300A, 500A, 600A, 800A, 1200A, 1500A, rated frequency 50Hz Or 60Hz power transformer or industrial transformer adjusts voltage under load. Suitable for 3-phase Y junction neutral point voltage regulation, single-phase voltage regulation at any part.



⊙ Model Description

ZVM III 600 □ -126 / C - 10193W R



© ZVM Technical Data

| Item | Specifications | III300 | III500 | III600 | I301 | I501 | I601 | I800 | I1200 | I1500 | |
|------|---------------------------------------|--|---|--------|------|------|------|------|-------|-------|----|
| 1 | Max.rated through current (A) | 400 | 500 | 600 | 400 | 500 | 600 | 800 | 1200 | 1500 | |
| 2 | Rated frequency (Hz) | 50 或 60 | | | | | | | | | |
| 3 | Phase & connection method | 3 phase neutral point of Y connection Single phase for any connection model | | | | | | | | | |
| 4 | Max.rated step voltage (V) | 3300 | | | | | | | | | |
| 5 | Rated step capacity(kVA) | 1000 | 1400 | 1500 | 1000 | 1400 | 1500 | 2640 | 3100 | 3500 | |
| 6 | Withstand short circuit capacity (kA) | Thermal (3s) | 6 | 8 | 8 | 6 | 8 | 8 | 16 | 24 | 24 |
| | | Dynamic (peak) | 15 | 20 | 20 | 15 | 20 | 20 | 40 | 60 | 60 |
| 7 | Operating positions | Linear regulating: 7,10,12,14,16,18,22,34 Reversing regulating: $\pm 3 \sim \pm 17$ | | | | | | | | | |
| 8 | Insulation level of tap changer (kV) | Rated voltage | 35 | 66 | 110 | 150 | 220 | | | | |
| | | Max. service voltage | 40.5 | 72.5 | 126 | 170 | 252 | | | | |
| | | Power frequency withstand voltage (50Hz, 1min) | 48 | 140 | 230 | 325 | 460 | | | | |
| | | Rated lightning impulse withstand voltage (1.2/50 μ s) | 200 | 350 | 550 | 750 | 1050 | | | | |
| 9 | Tap selector | 4 Grades of A,B,C,D according to insulation level | | | | | | | | | |
| 10 | Mechanical life | ≥ 1000000 times | | | | | | | | | |
| 11 | Electrical life | ≥ 200000 times | | | | | | | | | |
| 12 | Diverter switch Oil chamber | Work pressure | 3×10^4 Pa | | | | | | | | |
| | | Sealing performance | No leakage under 6×10^4 Pa for 24 hours | | | | | | | | |
| | | Overpressure protection | Blasting cap blast at $(4 \sim 5) \times 10^5$ Pa | | | | | | | | |
| | | Protection relay | QJ4-25 oil flow speed set at 1.0m/s $\pm 10\%$ | | | | | | | | |
| 13 | Oil displacement (L) | About 190~270 | | | | | | | | | |
| 14 | Oil filling capacity (L) | About 125~190 | | | | | | | | | |
| 15 | Weight (KG) | About 240~350 | | | | | | | | | |
| 16 | With motor driver mechanism | ZD/MAE/MA7B | | | | | | | | | |

Note:

1. The stage capacity is equal to the product of the stage voltage and the load current, and the rated stage capacity is the maximum stage capacity allowed continuously.

2. When selecting the single-phase switch formed by the parallel connection of the three-phase tap switch contacts, the transformer coil shunt should be considered, ZVM1800 two-way shunt, ZVM1200, I1500 three-way shunt.

3. The single-phase linear regulating OLTC with 34 working positions has only: I500A, I800A, I1500A.